

Precautions

Using the unit in the following locations can result in a malfunction.

1. In direct sunlight.
2. Locations of extreme temperature or humidity.
3. Excessively dusty or dirty.
4. Strenuous vibration.
5. Close to magnetic fields.

Power Supply

1. Turn power off when not in use.
2. Remove the battery when not use for a long time.

Keep away from Interference source

Radios and Televisions placed nearby can experience reception interference.

Care

To avoid breakage, do not apply excessive force to the switches or controls.

Clean

Do not use liquid cleaners such as Benzene or thinner other flammable polishes.

Do not set any container with liquid near A1 tuner, if liquid immerge the unit, it could cause malfunction, especially to attention not to let metal objects immerge tuner.

Do not disassemble the unit !

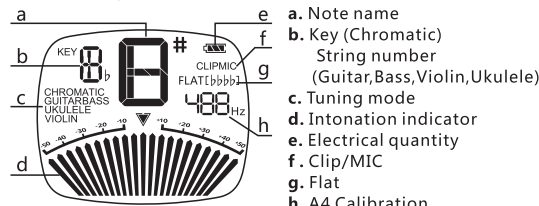
Keep manual

After reading this manual ,please keep it for future reference.

CLIP ON COLOR DISPLAY TUNER

OPERATION MANUAL

Display illustration

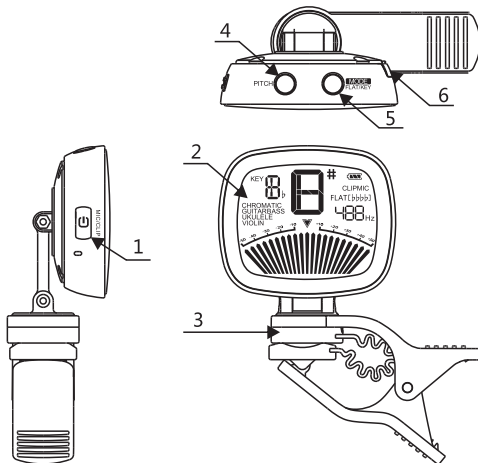


1. Power : On/Off ,Mic /Clip
2. LCD Color Screen
3. Clip
4. Calibration A4 :
Press : continuously up 1HZ
Long press : continuously up 10HZ
5. Flat mode button :
Long press : Chromatic, Guitar, Bass, Violin, Ukulele C/D
Press : In Chromatic, is change different key.
Guitar and Bass mode is adjust FLAT.
6. Battery cover

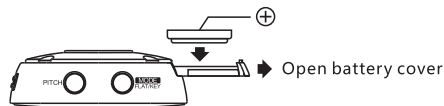
Operation

1. Power on the unit ,switch to "Clip" or "MIC" position which tuning way you required.
2. Press the "Mode" button ,Choosing tuning mode you want. (Chromatic, Guitar, Bass, Violin, Ukulele)
3. Clip the A1 tuner on the strongest vibrating part of your instrument.
4. Play a single note on your instrument, The display will show the note name and string number.
If intonation indicator points to the left (yellow color): the note is Flat.
If intonation indicator points to the right (Red color): the note is Sharp.
If intonation indicator points to the Middle (Green color): the note is in Tune.
5. In Chromatic mode ,the screen will display 12 kinds of standard note name and 4 kinds of debugging choice.
6. In Guitar ,Bass ,Ukulele ,Violin mode, the screen will display the empty of note name ,string number and four FLAT choice.
7. The unit will shut off automatically if there is no signal within 5 minutes.
8. The unit will self-motion memory last time your setting. if reinstall the battery ,the unit automatic return to initial setting.

Illustration



Installing the battery illustration



1. Please push open the battery cover according to the illustration. insert a CR2032 battery (attention to the "+" and "-" charges in illustration. The battery life may differ according to the conditions of use.
2. If the unit appears self-checking frequently, please take battery out and wait for 3 minutes to reinstall the battery.
3. Please change battery according to the top right corner electrical quantity display .when the display screen of the unit become dark or tuning react slowly ,please replaced a new battery in time.
4. Please do not arbitrarily discard the waste battery.

Specifications

Tuning : Chromatic, Guitar, Bass, Ukulele, Violin
Tuning mode : MIC, Clip.

Tuning range : A0(27.5Hz)~C8(4186Hz)

Precision : ±1 cent

Calibration : 410Hz~490Hz , A4=440Hz

Tuning key : C, F, B_b, E_b (Chromatic)

Flat : b, bb, bbb, bbbb (Guitar, Bass)

Power : 3V ,Battery (CR2032)×1

Dimension : 86mm×71mm×28mm

Weight : 31g

Accessories : Operation manual,
1 piece battery (CR2032)